

GLASS DOOR BACK BAR COOLERS



EVEREST
REFRIGERATION
www.EVERESTref.com

GLASS DOOR BACK BAR COOLERS

EBB – Series

• EBB23G • EBB59G • EBB69G • EBB90G



EBB23G



EBB59G



EBB69G



EBB90G

Cabinet Construction

Heavy duty stainless steel countertop, textured and laminated black vinyl exterior. Galvanized steel interior wall, and high quality stainless steel floor. 1 3/4" thick high density foamed-in-place polyurethane insulation. Pre-installed four 4" diameter casters for single door unit. Built-in caster thread receptacles for all units.

Refrigeration System

- Back mounted condensing unit for single door, and side mounted condensing unit for two and three door models
- Oversized condenser and evaporator coils quickly achieve and maintain desired temperature
- Forced-air cooling with oversized evaporator fan motors providing balanced airflow throughout cabinet to ensure faster temperature drop
- Removable side panel and slide-out condensing unit for convenient repair and maintenance
- Environmentally friendly CFC free R-134A refrigerant
- Air defrost controlled by electrical timer
- Copper tube and aluminum fin evaporator with anti-corrosive coating
- Energy efficient condensate drain pan assembly heated by high side copper tube
- Pre-wired and ready to plug, 115V/60Hz/1Ph, NEMA 5-15P

Doors

- Black PVC door frames
- Low emissivity double pane glass system reflects UV rays and improves insulation for maximized energy efficiency
- One piece snap-in magnetic door gaskets for easy replacement
- Heavy duty die cast door handles
- Door locks

Lighting

- Shielded vertical LED interior lighting with on/off switch for energy saving, less heat generation and enhanced illumination (available from 2015 models)

Shelving

- Two epoxy coated wire shelves per section
- Stainless steel pilasters and shelf clips

Temperature Control

- Factory preset temperature, 35°F
- Temperature setting range from 32°F to 42°F
- Easy to set analog thermostat

Options

- 2 1/2" and 4" diameter casters (3 1/2" and 5" overall height) optional for all models except EBB23G

• Project / Customer _____

• Item No. _____

• Model No. _____

Warranty



5 Year — Compressor Warranty
3 Year — Parts & Labor Warranty
Applicable to units purchased after July 1, 2014.

Contact



201 W. Artesia Blvd, Compton, CA 90220
T. (310) 323-6586, (800) 444-6285
F. (310) 323-7524, (310) 761-1127

GLASS DOOR BACK BAR COOLERS

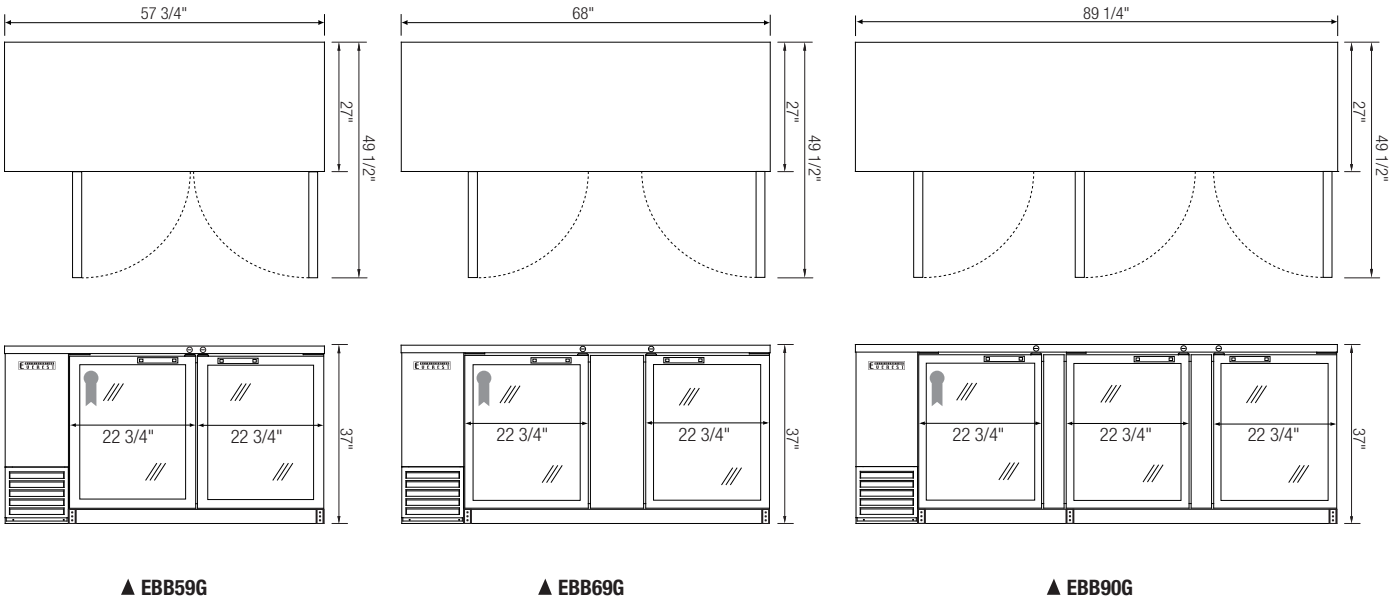
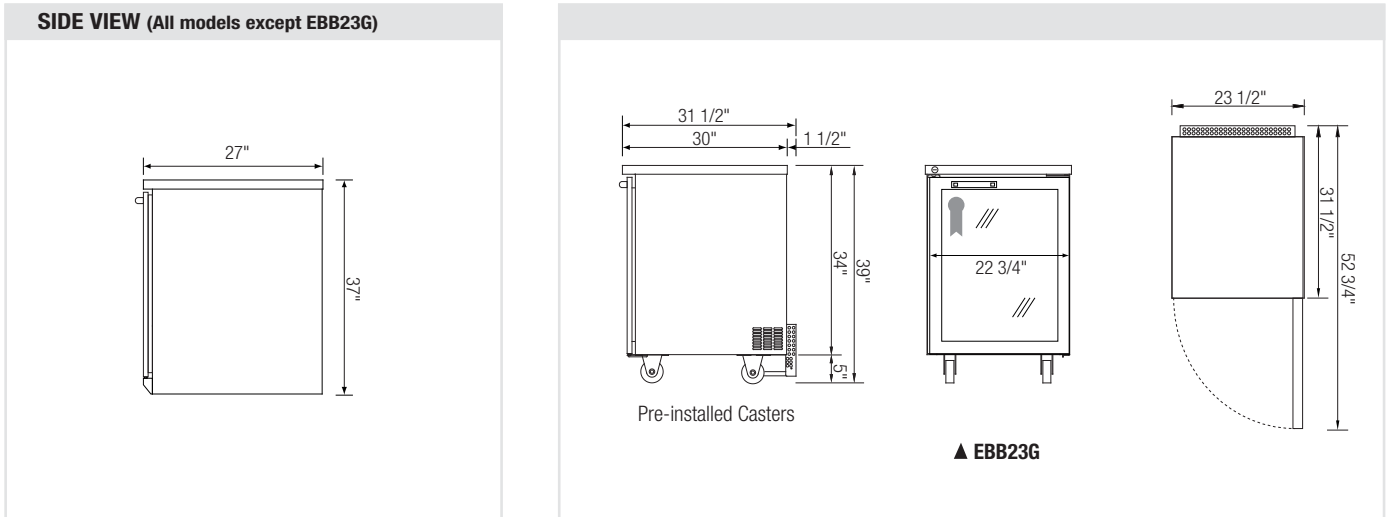


EBB – Series

• EBB23G • EBB59G • EBB69G • EBB90G

Dimensions

SIDE VIEW (All models except EBB23G)



Model	Ref/ Frz/ Dual	# of Doors	Capacity (Cu.Ft.)	HP	Refrigerant	# of Shelves	Capacity		Power (V-Hz-Ph)	Amps	Crated Weight (LBS)	Exterior Dimensions (Inches)			* Depth does not include protruding door handles † Depth includes 1 1/2" for back grill a Height includes 5" for casters Ref = Refrigerator Frz = Freezer Dual = Ref & Frz Combo
							12 oz. Cans	12 oz. Bottles				L	D*	H	
EBB23G	Ref	1	8.19	1/6	R-134A	2	220	125	115-60-1	4.20	170	23 1/2	31 1/2 [†]	39 ^a	
EBB59G	Ref	2	20.09	1/4	R-134A	4	640	408	115-60-1	4.20	322	57 3/4	27	37	
EBB69G	Ref	2	24.01	1/4	R-134A	4	800	504	115-60-1	4.20	355	68	27	37	
EBB90G	Ref	3	32.37	1/3	R-134A	6	1120	696	115-60-1	4.50	484	89 1/4	27	37	

Disclaimer: Product dimensions are for general purposes and not absolute value. Slight variations may exist. If dimensions are critical, please contact Everest.

201 W. Artesia Blvd, Compton, CA 90220

Specifications subject to change without notice.

T. (310) 323-6586, (800) 444-6285 F. (310) 323-7524, (310) 761-1127



Please visit our website for updated Energy Efficiency information